

**George Roberts**  
Total Reliability of Supply  
Telephone: 0151 524 2434

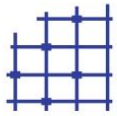


*The revolutionary patented innovation in scaffolding*



### **Klawz Features & Benefits**

- Tested to EN74-1:2005 Class B.
- Patented product (Pat-no.uk/Klawz).
- Environmental benefits, Transportation/Logistics, Less material & Storage.
- Time & Labour saving.



**George Roberts**  
Total Reliability of Supply  
Telephone: 0151 524 2434



## Pre-fabricated structural transoms

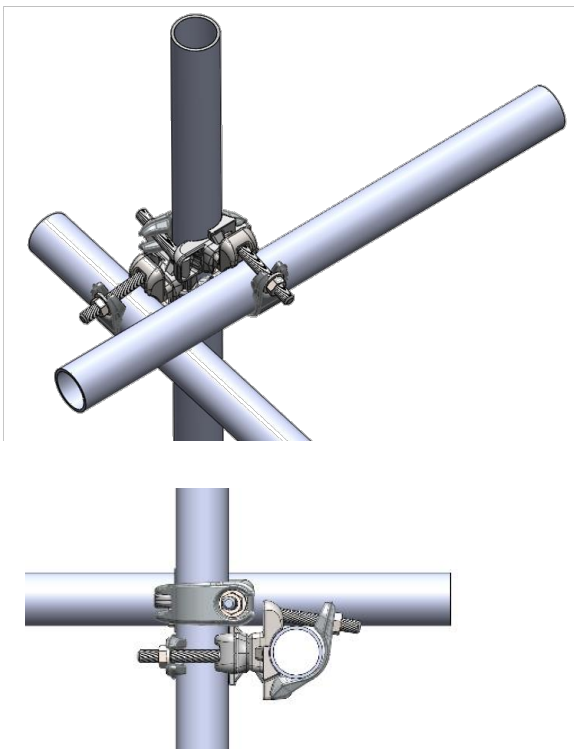
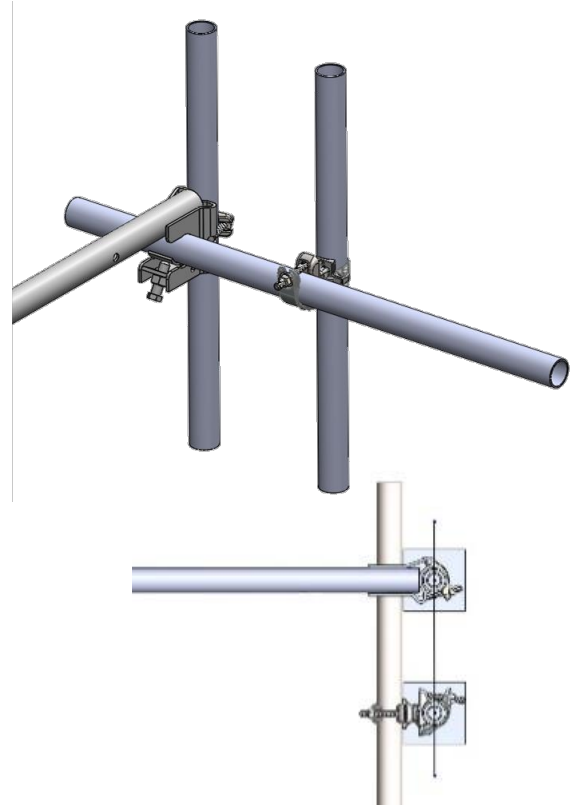
### *Features and Benefits*

Puncheons (Deadman): Klawz fittings align standards with pre-fabricated structural transom spacing, directly from the ledger.

Beams suspended from pre-fabricated structural transoms can be secured to a standard with a single fitting, while maintaining perfect alignment.

Additional standards to distribute leg loads, adding loading bays or stair towers etc., can be achieved with a single fitting at any point in the build.

Simplifies pre-fabricated structural transom scaffold by replacing the pre-fabricated structural transom.



## Tube and Fittings

### *Features and Benefits*

Klawz is the first EN74 Class B fitting allowing the design of Double on Double scaffolding, also known as Tube on Tube.

Klawz Spacing design results in the ledger and transom seating tube on tube allowing scaffold to be boarded out on a single level.

The Klawz fitting eliminates the requirements for separate Aberdeen transoms.

Transoms attached with Klawz fittings are suitable for tying a scaffold to a structure.