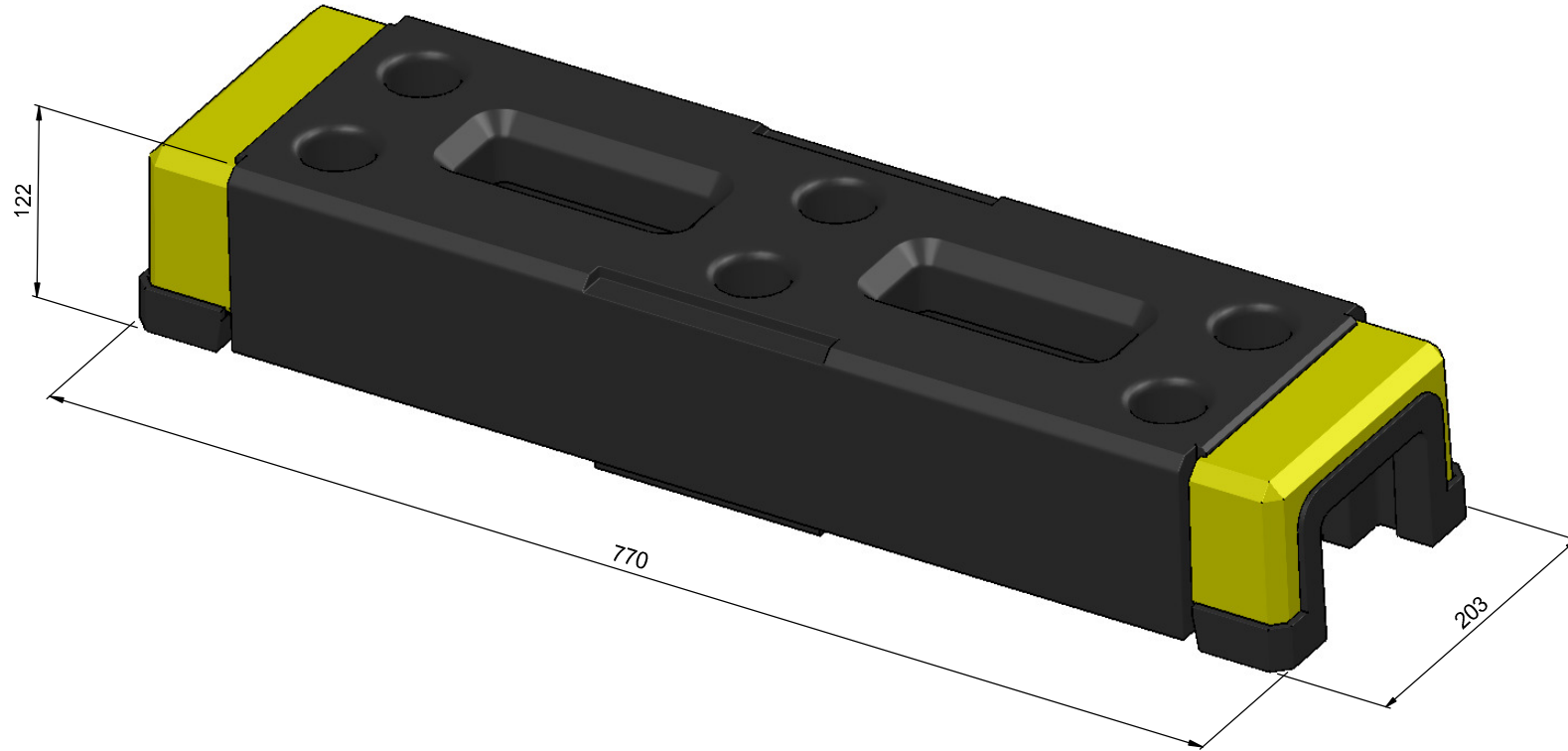


1 ALL DIMENSIONS IN MILLIMETRES  
REMOVE ALL SHARP EDGES

2 DO NOT JOIN MATERIAL TOGETHER  
TO MAKE INDIVIDUAL ITEMS

8 THIRD ANGLE PROJECTION  
DO NOT SCALE DRAWING



2	28/1/16	ISSUED FOR MANUFACTURE	GC		
1	9/7/13	ISSUED FOR MANUFACTURE	GC		
REV	DATE	DESCRIPTION	DRN	CHKD	APPR

TOLERANCES - UNLESS STATED OTHERWISE		TITLE: THERMO-PLASTIC FOOT (STD) HI-VIS			
UNTOLERANCED DIMENSIONS	+/- 2mm	NAME	SIGNATURE	DATE	MATERIAL:
CUTTING LENGTHS	+/- 2mm	DRAWN	G. CRICK	12/11/17	RECYCLED PLASTICS
FABRICATION		CHK'D			
UP TO 300mm	+/- 1mm	FINISH:		NONE	
UP TO 1000mm	+/- 2mm				
1001mm & ABOVE	+/- 3mm				
ANGULAR	+/- 1°				
MACHINING	+/- 0.2mm				
GAUGE	+/- 10%				
WEIGHT	+/- 10% (DUE TO MATERIAL PROPERTIES & TOLERANCES)				

**George Roberts**  
Worldwide Suppliers and Distributors  
of Scaffolding and Access Equipment  
[www.scaffoldingsales.com](http://www.scaffoldingsales.com)

THE COMPANY RETAIN THE RIGHT TO PERIODICALLY ALTER INFORMATION WITHIN THIS DRAWING SHEET AND WILL ATTEMPT TO NOTIFY ALL PARTIES CONCERNED OF ANY CHANGES AND THE INFORMATION ON THIS SHEET SHOULD NOT BE REPRODUCED WITHOUT THEIR WRITTEN CONSENT.

Drw / Stockcode No.	Revision
12551030	2